

Getting seated

Products that can help a person to comfortably and safely get seated in a vehicle.



How to choose a swivel base

A quick guide to help you decide what product to use.

Choosing the correct swivel base for a user and their car comes down to a wide range of variables. The user's length, mobility and weight as well as the height of the car's door opening and the angle of the A and B pillar, all play an important role when deciding what will work for each specific user and their car.

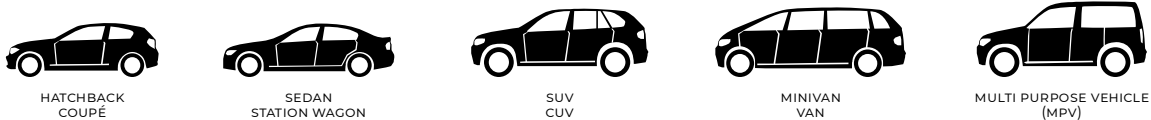
So where do you start? We designed our swivel bases with different user needs and vehicle types in mind. The chart below will give you our recommendations and it's a good place to start. Once you know what swivel base might be right for your customer, go to Dealerweb's Vehicle Search to find if there are any specific mounting brackets for their vehicle or other information that might be useful for your situation.

Keep in mind that these are merely our recommendations. Vehicle adaptation is all about adapting to the situation at hand and sometimes that means using a Turny Low Vehicle in a high vehicle.



Car body styles

These are our **recommendations**, visit Dealerweb for specific car models.



PRODUCT	FUNCTION	RECOMMENDED CAR BODY STYL *
Turnout SWIVEL BAS	manual swivel	
Turnout E SWIVEL BAS	powered swivel	
Turny Manual SWIVEL BAS	manual swivel, extension and lengthwise adjustment	
Turny Low Vehicle SWIVEL BAS	programmable powered swivel, extension and lengthwise adjustment	
Turny HD SEAT LIFT	manual swivel and powered lift	
Turny Orbit SEAT LIFT	powered swivel and lift	
Turny Evo SEAT LIFT	programmable powered swivel, lift and lengthwise adjustment	
Turny 6-Way INWARD SWIVEL	powered swivel, lengthwise adjustment and height adjustment	

*Visit Dealerweb for specific models and compatibility.

Swivel base compatibility matrix

A quick guide to help you find out what fits together.

The below matrix will show what products are compatible with your chosen swivel base. Keep in mind that this only shows if the products are mechanically compatible. It does not indicate that a combination will work in all positions of the car or that it will be a good solution for your customer.

If you are unsure, do not hesitate to contact our Customer Support Centre (CSC): support@braunability.eu or call +46 302 25440.

PRODUCT	CARONY COMPATIBILITY		SEATS COMPATIBILITY				ACCESSORIES COMPATIBILITY		
	CARONY 16"	CARONY CLASSIC	BEV	COMPACT	RECARO	GS	TILDA TILT	CARO-SLIDE	SLIDE RAILS
Turnout SWIVEL BAS	✗	✓ ²	✓ ⁴	✓ ⁴	✓ ⁴	✓ ¹⁺⁴	✓	✓ ⁶	✓
Turnout E SWIVEL BAS	✗	✓ ²	✓ ⁴	✓ ⁴	✓ ⁴	✓ ¹⁺⁴	✓	✗	✓
Turny Manual SWIVEL BAS	✓	✗	✗	✗	✗	✗	✗	✗	built in
Turny Low Vehicle SWIVEL BAS	✗	✗	✓	✗	✓	✗	✗	built in	✗
Turny HD SEAT LIF	✓ ³	✓ ²	✓	✓	✓	✓ ¹	✗	✗	✓
Turny Orbit SEAT LIF	✓ ³	✓ ²	✓	✓	✓	✓ ¹	✗	✗	✓
Turny Evo SEAT LIFT	✓ ³	✓ ³	✓	✓	✓ ¹	✓ ¹	✓	built in	✗
Turny 6-Way INWARD SWIVEL	✗	✗	✓ ⁴	✓ ⁴	✓ ⁴	✓ ¹⁺⁴	✗	✗	✓ ⁵

1. requires adapter plate
2. requires Carony rails
3. requires adapter plate with Carony rails

4. requires Slide rails
5. required for installation with the non-OEM seats
6. only compatible with Turnout 2

Other helpful tools



Application Tools

Installing a swivel base can be both time consuming and heavy. The Application tool is designed to eliminate this. In short, the tool is a light weight dummy for a swivel base. It allows you to install the mounting brackets as well as fine tune the position of the swivel base, before taking the swivel base out of the box.



Universal mounting brackets

If a vehicle specific mounting bracket isn't available, you must use our universal mounting bracket. Mounting the product in any other way will void its CE-marking and be a potentially dangerous installation. Before you order a Universal mounting bracket, measure the vehicle to ensure that the product fits.



H-Point Measure Tools

If we have a vehicle specific mounting bracket for a car, you know that the product will fit in a vehicle. This tool will tell you if the product/vehicle combination will fit your customer. By measuring from the so called H-point, you will be able to tell how far from your customer's knees the dashboard will be and how much room they will have above their head.

Transfer Board

A simple solution to help you transfer from wheelchair to car seat.



Our transfer board is a simple aid to help you when getting seated in the car. The board folds out right next to the seat which gives you an amply sized platform to make a short stopover before sliding over to the seat. Once you're comfortably seated you can fold away the transfer board until you need it again. A transfer board is sometimes referred to as a transfer plate or a tip-up plate.

The BraunAbility Transfer Board uses the same bolt holes as the car seat itself. The installation requires no permanent alterations to the vehicle and installing one will not affect your car's resale value. This also means that you can bring your Transfer Board to your next car, providing it's a suitable model.

It doesn't matter if you're a driver or a passenger. It's possible to install the BraunAbility Transfer Board on both sides of the car. You can even have two units, one on each side. This could be very useful if you share your car.

Quick facts

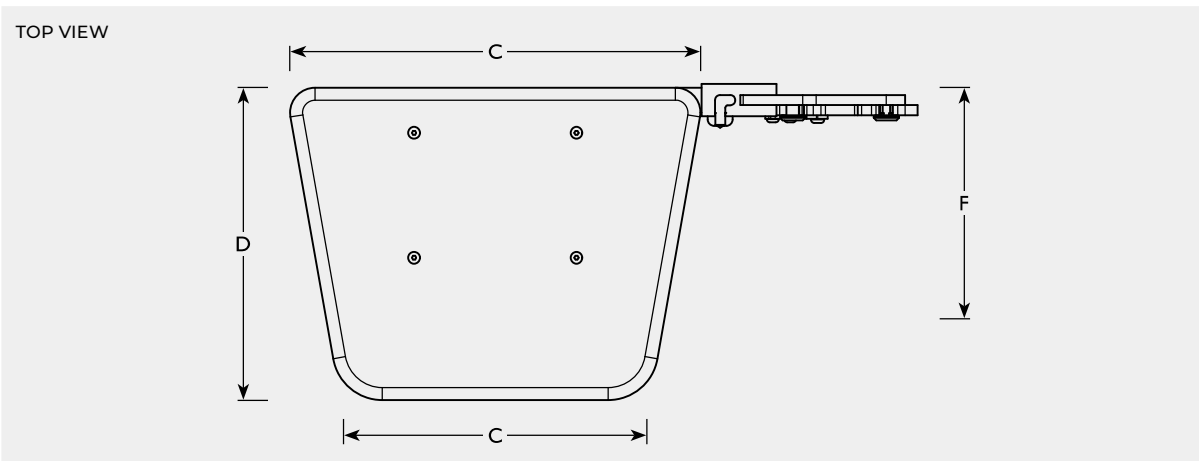
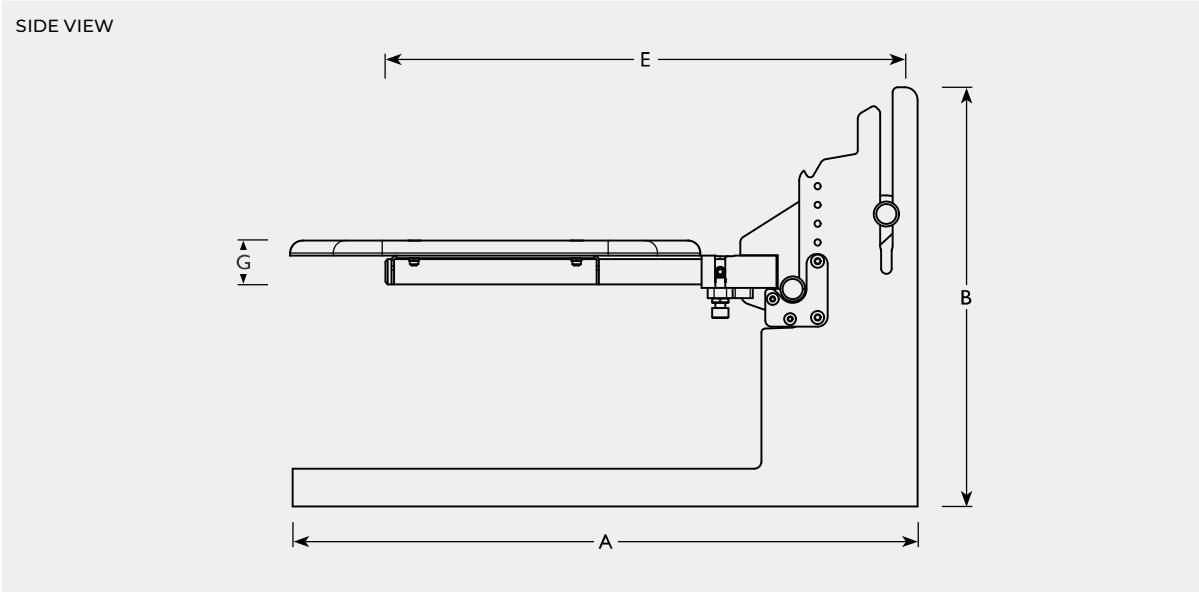
- Discreet and easy to use
- Drivers and passengers
- No permanent installation

To guarantee your safety BraunAbility products are designed and tested according to current directives and standards.



Transfer Board

Dimensions and models



Transfer Board		Installation in vehicle	Bracket length	Bracket height	Board length	Board width	Arm length	Arm width	Board + arm height	Weight capacity	Unit weight
			A	B	C	D	E	F	G		
105956	Transfer Board, left	left	50	33.5	25.9-32.8	25	41.6	17.3	3.7	140	5
105957	Transfer Board, right	right	50	33.5	25.9-32.8	25	41.6	17.3	3.7	140	5

All weights and dimensions are given in kilograms and centimetres, and for reference only.

Turnout®

A manual swivel base that rotates the car seat towards the door opening.



TURNOUT 2



The Turnout is a swivel base designed for those who find it difficult to enter a vehicle or make a transfer from the wheelchair. Installed as a layer between the vehicle's floor and the car seat the Turnout enables the car seat to be rotated facing outwards. An added bonus is that the rotated seat will be a little bit further out, in other words closer to the user.

This is our most economical manual swivel base. It is suitable for both drivers and passengers. It's available for 2-door or 4-door vehicles.

Quick facts

- Entry-level swivel seat
- Manual swivel
- Adds minimal height to the seat
- Low weight

To guarantee your safety BraunAbility products are designed and tested according to current directives and standards.



Vehicle specific mounting brackets available
dealerweb.braunability.eu

SEAT COMPATIBILITY			
BEV	COMPACT	RECARO	GS
✓ ⁴	✓ ⁴	✓ ⁴	✓ ¹⁺⁴

1. requires adapter plate 4. requires Slide rails

CARONY COMPAT		ACCESSORIES COMPATIBI		
CARONY	CARONY CLASSIC	TILDA TILT	CARO-SLIDE	SLIDE RAILS
✗	✓ ²	✓	✓ ⁶	✓

2. requires Carony rails

6. only compatible with Turnout 2

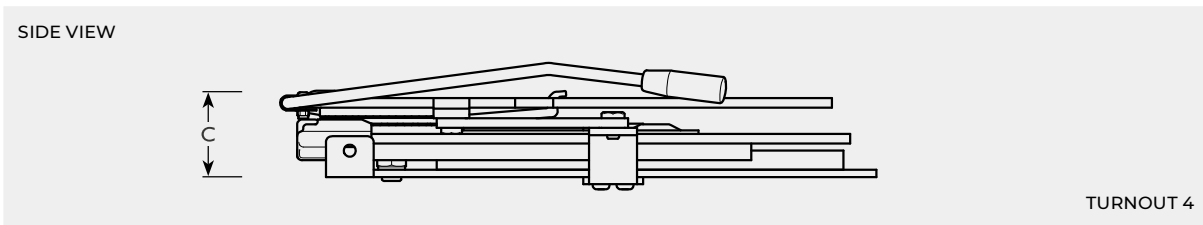
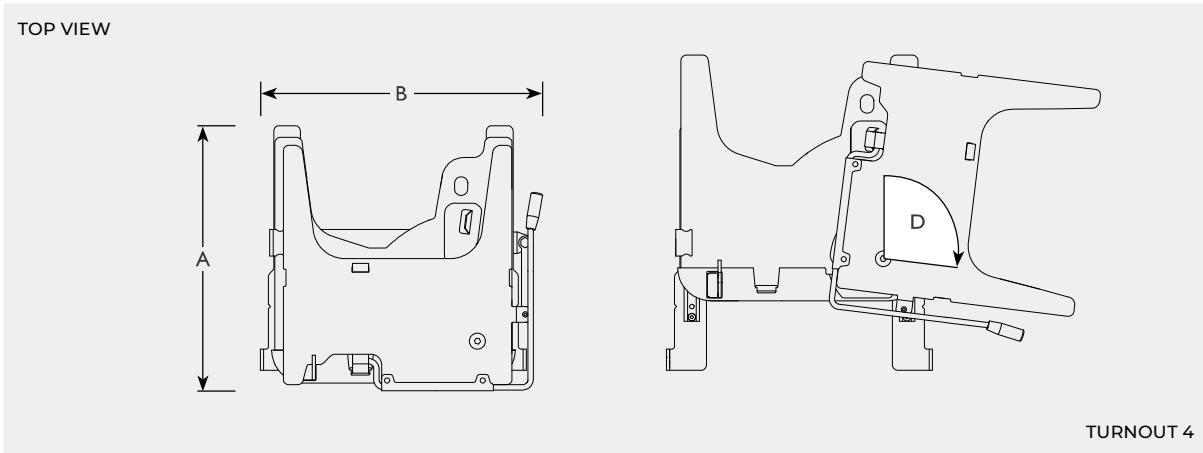


Turnout®

Dimensions and models

Requires a mounting bracket (Dealerweb) and Slide rails for installation.

Recommended accessories: Tilda, Caroslide



Open slewing bracket

Adds a slight outwards movement before the swivel, giving more space between knees and dashboard.

101685 for Turnout 4

Turnout	Installation in vehicle	Vehicle type	Length	Width	Height	Swivel range	Lengthwise movement	Vertical travel	Weight capacity	Unit weight
102597 Turnout 2	right	2 door	49	45	5.8/7.1**	0-97°	n/a*	n/a	180	21
102598 Turnout 2	left	2 door	49	45	5.8/7.1**	0-97°	n/a*	n/a	180	21
102599 Turnout 4	right	4 door	49	45	7.9	0-97°	n/a	n/a	180	21
102600 Turnout 4	left	4 door	49	45	7.9	0-97°	n/a	n/a	180	21
105129 Universal mounting bracket***										
105138 Application tool	right									
105139 Application tool	left									
100505 Slide rails (BEV, Compact, GS)										
100197 Slide rails (Recaro)										

All weights and dimensions are given in kilograms and centimetres, and for reference only. Weight capacity refers to the total weight of the seat, accessories and user.
 *Use Caroslide (101864) to add electric lengthwise movement. **Height depends on how you mount the included spacer.
 ***Check Dealerweb for vehicle specific mounting brackets before ordering the universal mounting bracket

Turnout® E

A powered swivel base that rotates the car seat towards the door opening.



The Turnout is a swivel base designed for those who find it difficult to enter a vehicle or make a transfer from the wheelchair. Installed as a layer between the vehicle's floor and the car seat the Turnout enables the car seat to be rotated facing outwards. An added bonus is that the rotated seat will be a little bit further out, in other words closer to the user.

This is our most economical powered swivel base. It is suitable for both drivers and passengers. It's available for 2-door or 4-door vehicles.

Quick facts


- Entry-level swivel seat
- Manual or powered swivel
- Adds minimal height to the seat
- Low weight

Specifications

POWER SUPPLY 12 V

To guarantee your safety BraunAbility products are designed and tested according to current directives and standards.



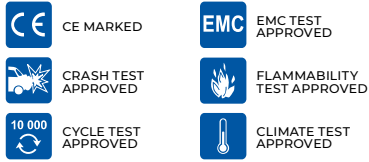
 **Vehicle specific mounting brackets available**
dealerweb.braunability.eu

SEAT COMPATIBILITY			
BEV	COMPACT	REC	
✓ ⁴	✓ ⁴	✓ ⁴	✓ ¹⁺⁴

1. requires adapter plate 4. requires Slide rails

CARONY COMPATIBILITY		ACCESSORIES COMPATIBIL		
CARONY	CARONY CLASSI	TILDA TILT	CARO-SLIDE	SLID RAILS
✗	✓ ²	✓	✗	✓

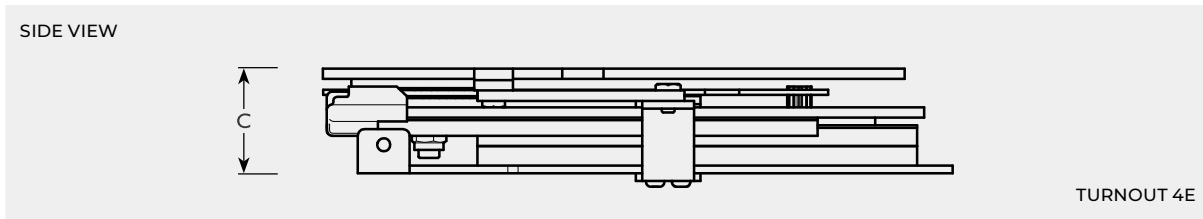
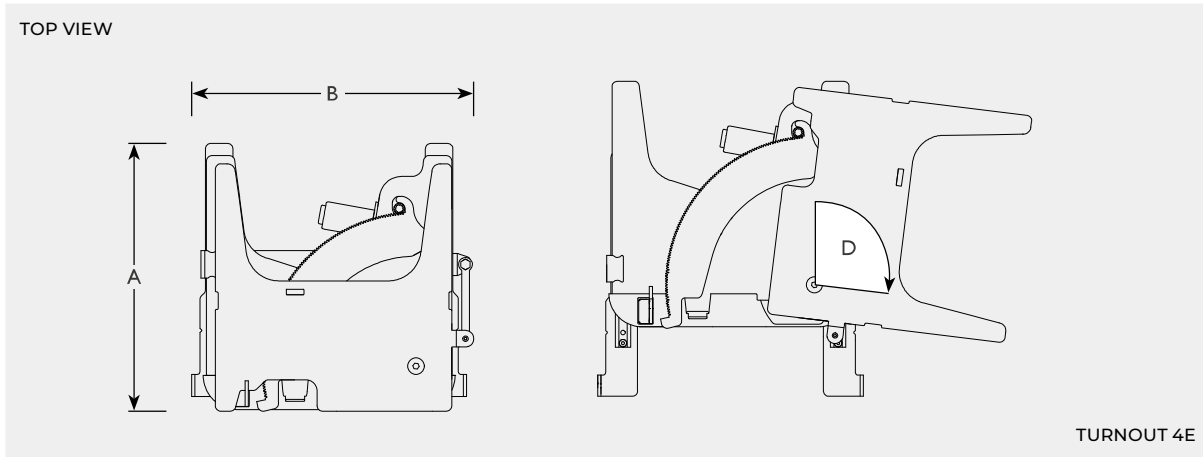
2. requires Carony rails



Turnout® E

Dimensions and models

Requires a mounting bracket (Dealerweb) and Slide rails for installation.
Recommended accessories: Tilda



Open slewing bracket
 Adds a slight outwards movement before the swivel, giving more space between knees and dashboard.
102242 for Turnout 4E



Universal remote
 Transmitter and a receiver. 4 channels.
106046 Universal remote

Turnout E		Installation in vehicle	Vehicle type	Length	Width	Height	Swivel range	Lengthwise movement	Vertical travel	Weight capacity	Unit weight
102601	Turnout 2E	right	2 door	49	45	5.8/7.1*	0-97°	n/a	n/a	180	22
102602	Turnout 2E	left	2 door	49	45	5.8/7.1*	0-97°	n/a	n/a	180	22
102603	Turnout 4E	right	4 door	49	45	7.9	0-97°	n/a	n/a	180	25
102604	Turnout 4E	left	4 door	49	45	7.9	0-97°	n/a	n/a	180	25
105129	Universal mounting bracket**										
105138	Application tool	right									
105139	Application tool	left									
100505	Slide rails (BEV, Compact, GS)										
100197	Slide rails (Recaro)										

All weights and dimensions are given in kilograms and centimetres, and for reference only. Weight capacity refers to the total weight of the seat, accessories and user.
 *Height depends on how you mount the included spacer.
 **Check Dealerweb for vehicle specific mounting brackets before ordering the universal mounting bracket

Turny® Manual

A manual swivel base that rotates and extends the seat almost completely outside the vehicle.



The Turny Manual allows the seat to be rotated towards the door opening and then partly extended over the sill. As the name suggest the Turny Manual is a hand operated swivel base.

During the swivelling part of the operation, the user's head will be inside the vehicle. Not until the Turny Manual is extended, will the user pass through the door opening. This gives the care giver more control of the situation and making the procedure more comfortable for the user.

The lengthwise adjustment of the Turny Manual has three positions. Two of them are 8 cm apart. These can be used as comfort adjustment of the seat inside the car. The third position allows the seat to move and additional 16 cm when extending.

Turny Manual is specifically made for the Carony 16" and has several features that makes installation quick and easy.



Quick facts

- Made for Carony 16"
- Easy to install
- Pre-mounted H-bracket for fast installation
- Slim design
- 8 cm comfort adjustment
- 16 cm extension



Vehicle specific mounting brackets available
dealerweb.braunability.eu

To guarantee your safety BraunAbility products are designed and tested according to current directives and standards.

SEAT COMPATIBILIT			
BEV	COMPACT	RECARO	GS
✗	✗	✗	✗

ⓘ Only compatible with the Carony 16" seat.

CARONY COMPATIBILITY		ACCESSORIES COMPATIBILITY		
CARONY	CARONY CLASSIC	TILDA TILT	CARO-SLIDE	SLIDE RAILS
✓	✗	✗	✗	built in

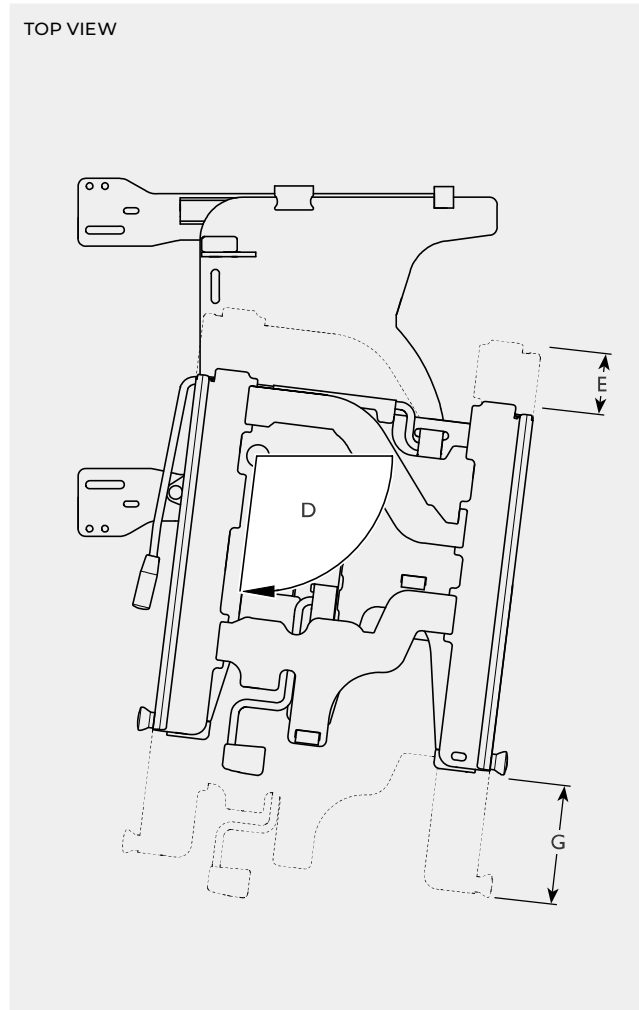
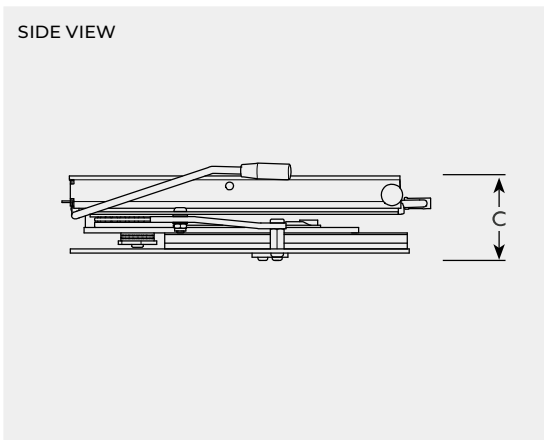
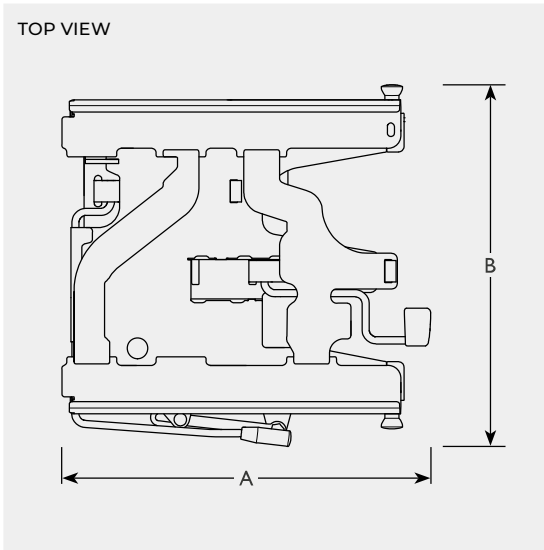


Turny® Manual

Dimensions and models

Requires a mounting bracket (Dealerweb) for installation.

Recommended accessories: Application tool




Turny Manual		Installation in vehicle		Length	Width	Height	Swivel range	Lengthwise movement	Vertical travel	Extension	Weight capacity	Unit weight
		A	B									
103928	Turny Manual for Carony	right		52	51	11	0-97°	8	n/a	16	150	28
103929	Turny Manual for Carony	left		52	51	11	0-97°	8	n/a	16	150	28
104065	Application tool		right									
104066	Application tool		left									
104087	Universal mounting bracket*		front									

All weights and dimensions are given in kilograms and centimetres, and for reference only. Weight capacity refers to the total weight of the seat, accessories and user.
 *Check Dealerweb for vehicle specific mounting brackets before ordering the universal mounting bracket

Turny® Low Vehicle

A programmable powered swivel base that rotates the car seat and extends it almost completely outside the vehicle.



 **Vehicle specific mounting brackets available**
dealerweb.braunability.eu

The Turny Low Vehicle is a swivel seat that will allow the user to get seated outside the vehicle, before being comfortably moved to a safe position inside. Having the car seat outside of the vehicle can be very helpful when getting seated or making the transfer from a wheelchair.

The Turny Low Vehicle is the most advanced swivel seat on the market today. Its many unique features makes it possible to adapt car models previously thought impossible to adapt with a swivel seat.

Designed to be installed in a 4° tilt, improving both comfort and pressure relief. The tilt also optimises the position of the user during swivel and extension, which in turn makes even more cars possible to adapt.

Quick facts

- Advanced swivel seat
- Powered swivel and extension
- Programmable movement path provides excellent head space and leg space
- Adjustable comfort position
- Unique 4° tilt installation gives numerous benefits

Specifications

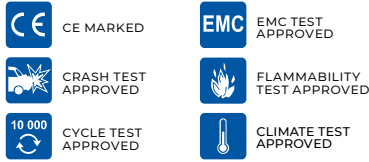
POWER SUPPLY 12 V

To guarantee your safety BraunAbility products are designed and tested according to current directives and standards.

SEAT COMPATIBILIT			
BEV	COMPACT	RECAR	
✓	✗	✓	✓ ¹

1. requires adapter plate

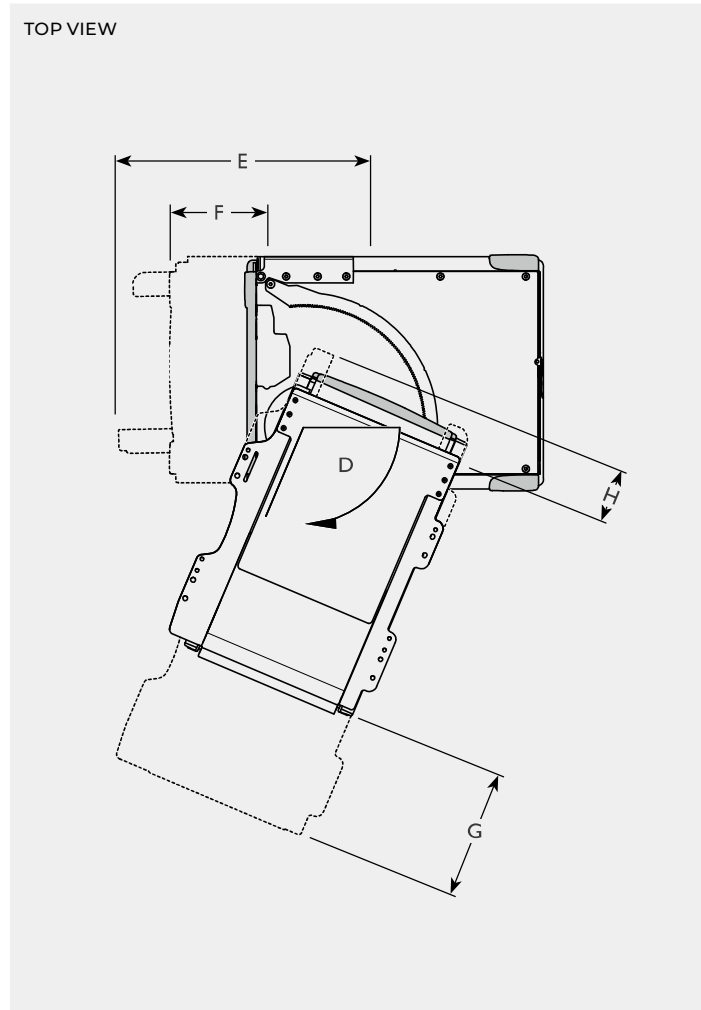
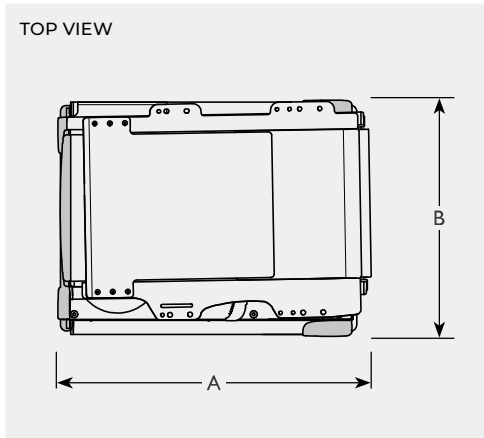
CARONY COMPATIBILITY		ACCESSORIES COMPATIBILITY		
CARONY	CARONY CLASSIC	TILDA TILT	CARO-SLIDE	SLIDE RAILS
✗	✗	✗	built in	✗



Turny® Low Vehicle

Dimensions and models

Requires a mounting bracket (Dealerweb) for installation.
Recommended accessories: Application tool, BraunAbility Remote



Turny Low Vehicle		Installation in vehicle	Length	Width	Height	Swivel range	Movement, programming mode	Movement, comfort mode	Extension	Reverse extension (Rektion®)	Inclination	Weight capacity	Unit weight
			A	B	C	D	E	F	G	H	I		
103259	Turny Low Vehicle	right	61	47	11	0-113°	51	0-41	30	10	4°	140	65
103260	Turny Low Vehicle	left	61	47	11	0-113°	51	0-41	30	10	4°	140	65
103648	Application tool	right											
103649	Application tool	left											
103562	Universal mounting bracket*	front											
105106	BraunAbility Remote: Turny Low Vehicle												

All weights and dimensions are given in kilograms and centimetres, and for reference only. Weight capacity refers to the total weight of the seat, accessories and user.
 *Check Dealerweb for vehicle specific mounting brackets before ordering the universal mounting bracket

Turny® HD

A manual swivel base with powered lift that rotates the car seat and brings it completely outside the vehicle.



The Turny HD is a seat lift that will allow the user to get seated outside the vehicle, before being comfortably lifted to a safe position inside. Having the car seat completely outside of the vehicle and at a height of choice can be very helpful when getting seated or making the transfer from a wheelchair.

Turny HD features manual swivel and powered lift. It is suitable for passenger side installation only.

Quick facts

- Entry-level seat lift
- Powered lift
- Manual swivel
- Generous lifting height
- Optional footrest

Specifications

POWER SUPPLY 12 V

To guarantee your safety BraunAbility products are designed and tested according to current directives and standards.

NOTE! Turny HD is delivered without covers. Covers are sold separately.



Vehicle specific mounting brackets available
dealerweb.braunability.eu

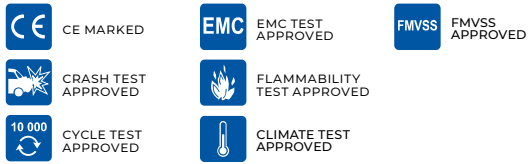
SEAT COMPATIBILI			
BEV	COMPACT	RECARO	
✓	✓	✓	✓ ¹

1. requires adapter plate

CARONY COMPAT		ACCESSORIES COMPATIBIL		
CARONY	CARONY CLASSIC	TILDA TILT	CARO-SLIDE	SLIDE RAILS
✓ ³	✓ ²	✗	✗	✓

2. requires Carony rails

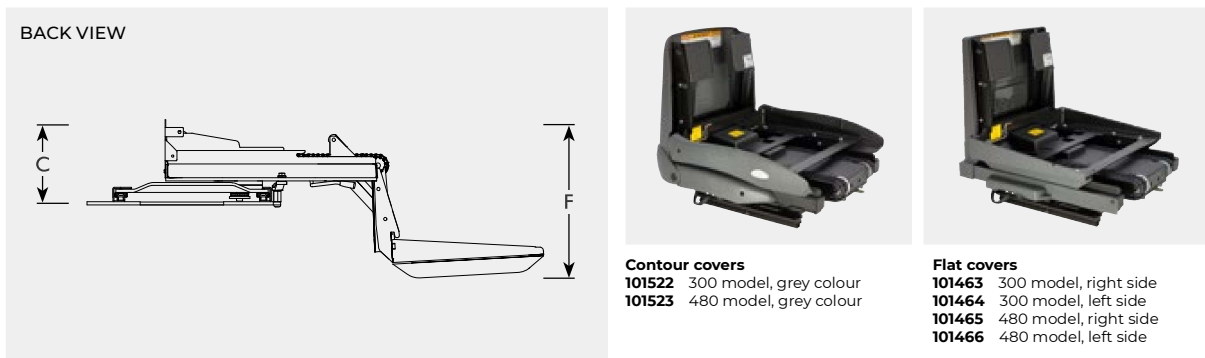
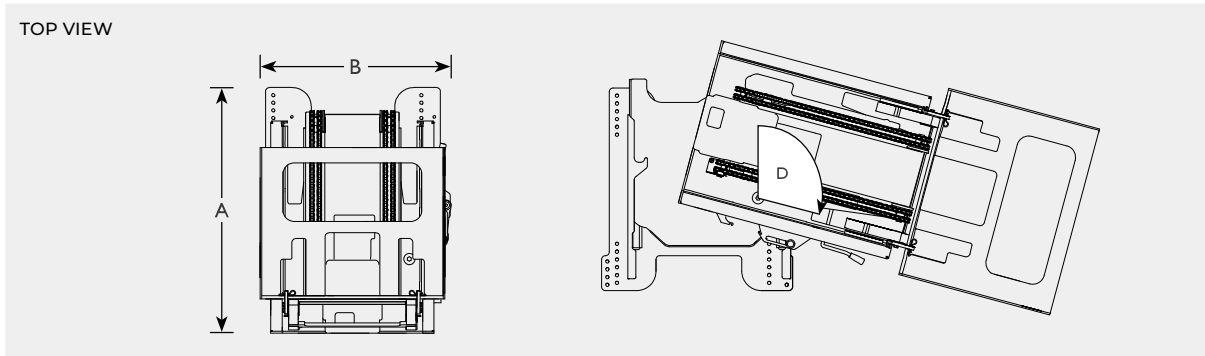
3. requires adapter plate with rails



Turny® HD

Dimensions and models

Requires covers and a mounting bracket (Dealerweb) for installation.
Recommended accessories: Footrest



Seat spacers
101227 35 mm
100728 70 mm



Turny HD/Orbit footrest
101292



Door safety switch
102622



Universal remote
106046

Turny HD		Installation in vehicle		Height	Swivel range	Lengthwise movement	Vertical travel	Weight capacity	Unit weight	
		Length	Width							
		A	B	C	D	E	F			
102281	Turny HD, 300	right	59*	47.5*	16.5	0-105°	n/a	30	170	59
102282	Turny HD, 300	left	59*	47.5*	16.5	0-105°	n/a	30	170	59
102285	Turny HD, 480	right	59*	47.5*	16.5	0-105°	n/a	48	170	61
102286	Turny HD, 480	left	59*	47.5*	16.5	0-105°	n/a	48	170	61
105140	Application tool	right								
105141	Application tool	left								
105130	Universal mounting bracket**	front								
105131	Universal mounting bracket**	middle								

All weights and dimensions are given in kilograms and centimetres, and for reference only. Weight capacity refers to the total weight of the seat, accessories and user.
 *Measured without covers. **Check Dealerweb for vehicle specific mounting brackets before ordering the universal mounting bracket

Turny® Orbit

A powered swivel and lift base that rotates the car seat and brings it completely outside the vehicle.



The Turny Orbit is a seat lift that will allow the user to get seated outside the vehicle, before being comfortably lifted to a safe position inside. Having the car seat completely outside of the vehicle and at a height of choice can be very helpful when getting seated or making the transfer from a wheelchair.

Turny Orbit features powered swivel and lift. It is suitable for passenger side installation only.

Quick facts

- Entry-level seat lift
- Powered lift and swivel
- Generous lifting height
- Optional footrest

Specifications

POWER SUPPLY 12 V

To guarantee your safety BraunAbility products are designed and tested according to current directives and standards.

NOTE! Turny Orbit is delivered without covers. Covers are sold separately.



Vehicle specific mounting brackets available
dealerweb.braunability.eu

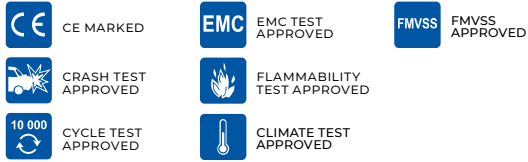
SEAT COMPATIBILI			
BEV	COMPACT	RE	
✓	✓	✓	✓ ¹

1. requires adapter plate

CARONY COMPATIBILITY		ACCESSORIES COMPATIBILI		
CARONY	CARONY CLASSI	TILDA TILT	CARO-SLIDE	SLIDE RAILS
✓ ³	✓ ²	✗	✗	✓

2. requires Carony rails

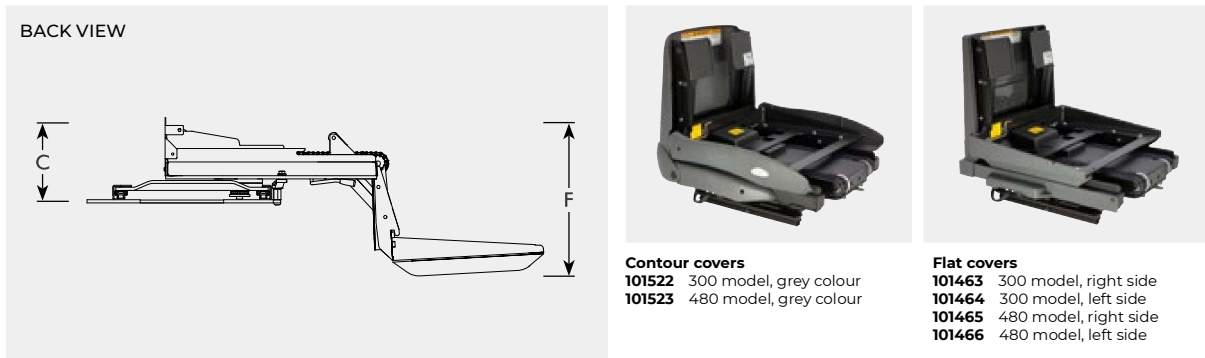
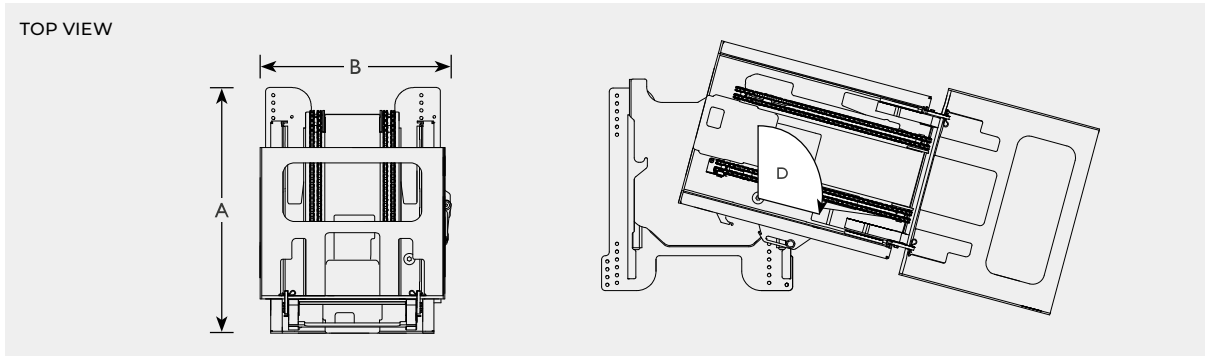
3. requires adapter plate with rails



Turny® Orbit

Dimensions and models

Requires covers and a mounting bracket (Dealerweb) for installation.
Recommended accessories: Footrest



Seat spacers
101227 35 mm
100728 70 mm



Turny HD/Orbit footrest
101292



Door safety switch
102622



Universal remote
106046

Turny Orbit		Installation in vehicle		Height	Swivel range	Lengthwise movement	Vertical travel	Weight capacity	Unit weight	
		Length	Width							
		A	B	C	D	E	F			
102287	Turny Orbit, 300	right	59*	47.5*	16.5	0-97°	n/a	30	170	60
102288	Turny Orbit, 300	left	59*	47.5*	16.5	0-97°	n/a	30	170	60
102291	Turny Orbit, 480	right	59*	47.5*	16.5	0-97°	n/a	48	170	62
102292	Turny Orbit, 480	left	59*	47.5*	16.5	0-97°	n/a	48	170	62
105140	Application tool	right								
105141	Application tool	left								
105130	Universal mounting bracket**	front								
105131	Universal mounting bracket**	middle								

All weights and dimensions are given in kilograms and centimetres, and for reference only. Weight capacity refers to the total weight of the seat, accessories and user.
 *Measured without covers. **Check Dealerweb for vehicle specific mounting brackets before ordering the universal mounting bracket

Turny® Evo

A programmable powered swivel and lift base that rotates the car seat and brings it completely outside the vehicle.



The Turny Evo is a seat lift that will allow the user to get seated outside the vehicle, before being comfortably lifted to a safe position inside. Having the car seat completely outside of the vehicle and at a height of choice can be very helpful when getting seated or making the transfer from a wheelchair.

The unique feature of the Turny Evo is its programmable movement path. This allows the Turny Evo to be individually tailored to each user/vehicle combination and enables many driver's side installations.


Quick facts

- Advanced seat lift
- Programmable movement path provides excellent head space and leg space
- Powered lift and swivel
- Generous lifting height
- Built-in foot rest
- Adjustable comfort position

Specifications

POWER SUPPLY 12 V

To guarantee your safety BraunAbility products are designed and tested according to current directives and standards.

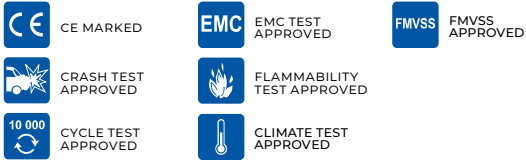
 **Vehicle specific mounting brackets available**
dealerweb.braunability.eu

SEAT COMPATIBILI			
BEV	COMPACT	REC	
✓	✓	✓ ¹	✓ ¹

1. requires adapter plate

CARONY COMPATIBILITY		ACCESSORIES COMPATIBILI		
CARONY	CARONY CLASSIC	TILDA TILT	CARO-SLIDE	SLIDE RAILS
✓ ³	✓ ³	✓	built in	✗

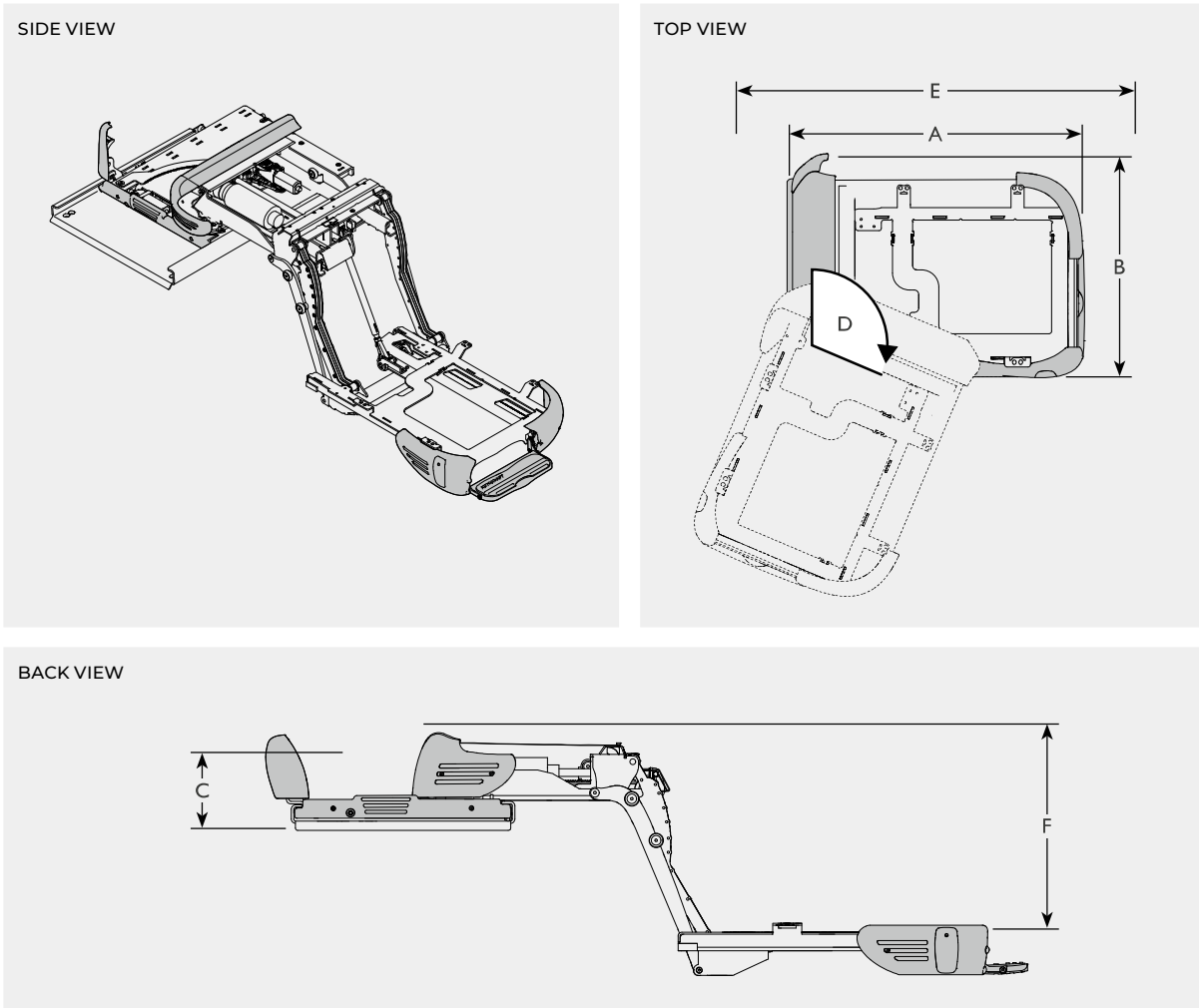
3. requires adapter plate with rails



Turny® Evo

Dimensions and models

Requires a mounting bracket (Dealerweb) for installation.
Recommended accessories: Application tool, BraunAbility Remote



Turny Evo		Installation in vehicle	Length	Width	Height	Swivel range	Lengthwise movement	Vertical travel	Weight capacity	Unit weight
		A	B	C	D	E	F			
103261	Turny Evo	right	70.3	54.2	16.3	0-113°	0-41	39	180	84
103262	Turny Evo	left	70.3	54.2	16.3	0-113°	0-41	39	180	84
103532	Application tool	right								
103533	Application tool	left								
103562	Universal mounting bracket*	front								
103563	Universal mounting bracket*	middle								
105169	BraunAbility Remote: Turny Evo									

All weights and dimensions are given in kilograms and centimetres, and for reference only. Weight capacity refers to the total weight of the seat, accessories and user.
 *Check Dealerweb for vehicle specific mounting brackets before ordering the universal mounting bracket

Turny® Evo BIS

A kit solution consisting of the Turny Evo, our seat with an integrated belt and a vehicle-specific mounting bracket.



This kit is designed for second-row installations in vans. With an integrated seat belt, when you move the Turny Evo, forward or backward, the belt moves with you, always maintaining that perfect seat belt geometry. This is important because wearing a seat belt correctly is what saves your life. It's why children use a booster seat until they are big enough to get the proper seat belt geometry by themselves.

Additionally, the seat belt is close enough to reach when you're seated. A seat belt attached the C pillar in a van, can be hard if not impossible to reach when seated. Especially if rotating your upper body is painful or difficult.


As with all our seats, the BIS is crash-test approved to provide you with the best possible protection in the unfortunate event of a crash.

The BIS Seat is a fully functional and comfortable car seat, available for both left and right side installations. Naturally, it comes with functions like adjustable backrest recline. The backrest can also be folded forward over the seat cushion if necessary. The BIS Seat can also be adapted with armrests if desired.



Quick facts

- Advanced seat lift
- Programmable movement path provides excellent head space and leg space
- Powered lift and swivel
- Generous lifting height
- Built-in foot rest
- Adjustable comfort position

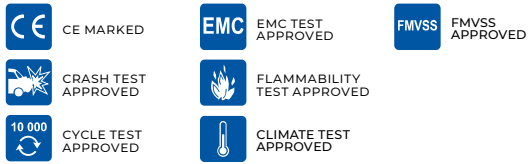
 **Vehicle specific mounting brackets available**
dealerweb.braunability.eu

CARONY COMPAT		ACCESSORIES COMPATIBILIT		
CARONY	CARONY CLASSIC	TILDA TILT	CARO-SLIDE	SLIDE RAILS
✘	✘	✘	built in	✘

Specifications

POWER SUPPLY 12 V

To guarantee your safety BraunAbility products are designed and tested according to current directives and standards.



Turny® Evo BIS

Models

Recommended accessories: BraunAbility Remote



Turny Evo BIS kits

106031	Citroën Space Tourer 2016-, right
106069	Fiat Talento 2016-2020, right
106070	Fiat Talento 2016-2020, left
106077	Ford Transit Custom 2019-, right
106078	Ford Transit Custom 2019-, left
105994	Ford Tourneo Custom 2013-, right
105995	Ford Tourneo Custom 2013-, left
105144	Mercedes-Benz V-Class 2014-, right
105145	Mercedes-Benz V-Class 2014-, left
106071	Nissan NV300 2014-, right
106072	Nissan NV300 2014-, left
106079	Opel/Vauxhall Vivaro 2019-, right
106067	Opel/Vauxhall Vivaro 2014-2018, right
106068	Opel/Vauxhall Vivaro 2014-2018, left
106035	Opel/Vauxhal Zafira 2020-, right
106033	Peugeot Traveller 2016-, right
106065	Renault Trafic 2014-, right
106066	Renault Trafic 2014-, left

106029	Toyota ProAce 2016-, right
105998	Volkswagen T6 2015-, right
105999	Volkswagen T6 2015-, left
106075	Volkswagen T6 Multivan 2015-, right
106076	Volkswagen T6 Multivan 2015-, left
105996	Volkswagen T5 2003-2015, right
105997	Volkswagen T5 2003-2015, left
106073	Volkswagen T5 Multivan 2003-2015, right
106074	Volkswagen T5 Multivan 2003-2015, left

Accessories

103083	Armrest bracket for BIS seat (order one per side)
100429	Armrest for BEV/Compact seat, left side
100428	Armrest for BEV/Compact seat, right side
100848	Armrest kit for BEV/Compact seat

Turny® 6-Way

Transfer from wheelchair to the front seat, inside the vehicle.



The Turny 6-Way makes it easy to get from the wheelchair to the front seat and vice versa. As the name suggests the seat lift can move in 6 directions; up, down, forward, backward as well as rotate left to right. This means that you can bring the seat backwards, rotate it to face the inside of the car and set to your desired height.

Basically, you move the seat into an optimal position for you to transfer to and from your wheelchair. Once seated you have the luxury of using the controls to position yourself exactly as you like. The Turny 6-Way can be installed on the driver's side as well as on the passenger's side.


Quick facts

- Powered adjustment in six directions
- Adjustable comfort position
- Crash test approved
- Supports OEM seat electrical functions
- Optional foot rest

Specifications

POWER SUPPLY 12 V

To guarantee your safety BraunAbility products are designed and tested according to current directives and standards.

 **Vehicle specific mounting brackets available**
dealerweb.braunability.eu

SEAT COMPATIBILI			
BEV	COMPACT	RECARO	GS
✓ ⁴	✓ ⁴	✓ ⁴	✓ ¹⁺⁴

1. requires adapter plate 4. requires Slide rails

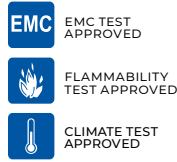
CARONY COMPATIBILIT		ACCESSORIES COMPATIBILIT		
CARONY	CARONY CLASSIC	TILDA TILT	CARO-SLIDE	SLIDE RAILS
✗	✗	✗	built in	✓ ⁵

5. required for installation with non-OEM seats

Installation kits

Complete kits for installation in the floor and for the seat on top.

- 106056** Kit: Citroën Jumper Mk 3 2006-
- 106057** Kit: Citroën Relay Mk 3 2006-
- 106058** Kit: Fiat Ducato Mk3 2006-
- 105980** Kit: Fiat Talento 2016-
- 105974** Kit: Ford Tourneo Custom 2012-
- 105975** Kit: Ford Transit Custom 2013-
- 106053** Kit: Mercedes-Benz Sprinter 2018-, left
- 106054** Kit: Mercedes-Benz Sprinter 2018-, right
- 105971** Kit: Mercedes-Benz V-Class 2014-
- 105972** Kit: Mercedes-Benz Viano 2014-
- 105973** Kit: Mercedes-Benz Vito 2014-
- 105979** Kit: Nissan NV300 2014-
- 105977** Kit: Opel Vivaro 2014-2018
- 106055** Kit: Peugeot Boxer 2006-
- 105976** Kit: Renault Trafic 2014-
- 105978** Kit: Vauxhall Vivaro 2014-2018
- 105981** Kit: Volkswagen T6 2015-
- 105982** Kit: Volkswagen T5 2003-2015

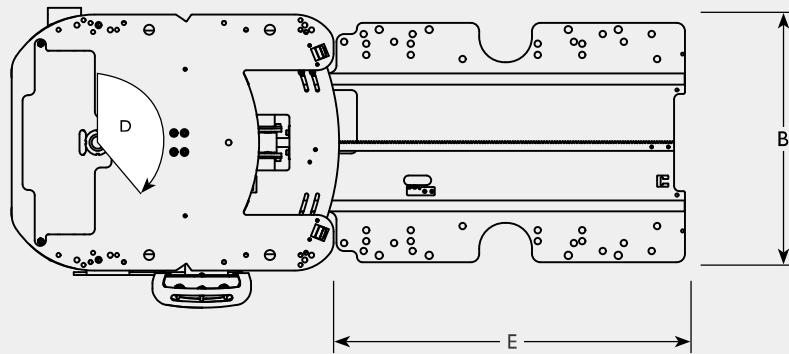


Turny® 6-Way

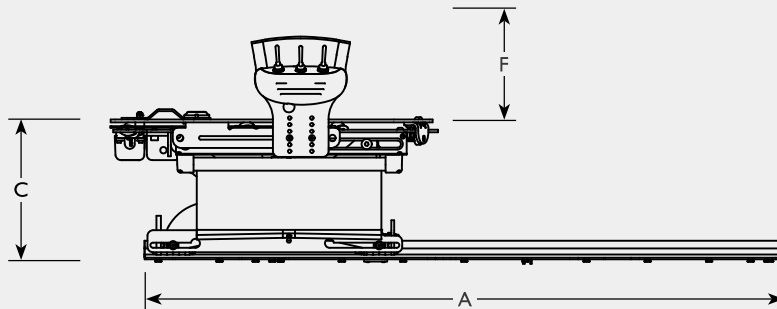
Dimensions and models

Requires an installation kit for installation.
Recommended accessories: Footrest

TOP VIEW



SIDE VIEW



Turny 6-Way

		Installation in vehicle	Length	Width	Height	Swivel range	Lengthwise movement	Vertical travel	Weight capacity	Unit weight
			A	B	C	D	E	F		
105838	Turny 6-Way	both	115*	43	17-34.7	0-140° / 0-120° **	70.4	17.7	180	54
105991	Universal mounting bracket***	floor								
105992	Universal mounting bracket OEM seat***	seat								
105970	Footrest	both								
100505	Slide rails (BEV, Compact, GS)									
100197	Slide rails (Recaro)									

All weights and dimensions are given in kilograms and centimetres, and for reference only. Weight capacity refers to the total weight of the seat, accessories and user.
 *can be cut by 45-190 mm by the installer if needed. **differs between left (140°) and right (120°) side installation.
 ***For installing a Turny 6-Way in a vehicle we don't offer an installation kit for.

Accessories

Getting seated



Tilda

Tilda is an ergonomic tilt function with many uses. Installed under the car seat it allows the seat to be tilted in three steps, giving the user options in seating position for pressure relief and comfort when using a swivel seat. It can also be used to lower the user's head enough to clear the roof when swivelling in or out of the vehicle.

SWIVEL BASE COMPATIBILITY					
TURNOUT	TURNY MANUAL	TURNY LOW VEHICLE	TURNY HD/ORBIT	TURNY EVO	TURNY 6-WAY
✓	✗	✗	✗	✓	✗

- 101837** Tilda, right
- 101838** Tilda, left
- 101839** Tilda footrest

Tilting: 0°, 7°, 11°, 15°
Height: 2.4 cm
Weight: 7 kg



Caroslide

Powered slide function for car seats. Installed under the car seat the Caroslide, allows the user to adjust their seating position lengthwise in the vehicle. Works for both left and right side installation and is prepared for all of our seats.

SWIVEL BASE COMPATIBILITY					
TURNOUT	TURNY MANUAL	TURNY LOW VEHICLE	TURNY HD/ORBIT	TURNY EVO	TURN 6-WAY
✓ ⁶	✗	built in	✗	built in	built in

- 101864** Caroslide

Maximum slide: 24 cm
Height: 4.1 cm
Weight: 10 kg

6. only compatible with Turnout 2 (not E-model)



Slide rails

Manual slide function for car seats. Installed between the product and the car seat, Slide Rails allows the user to adjust their seating position lengthwise in the vehicle. Works for both left and right side installation and is prepared for all of our seats.

SWIVEL BASE COMPATIBILITY					
TURNOUT	TURN MANUA	TURNY LOW VEHICLE	TURNY HD/ORBIT	TURNY EVO	TURNY 6-WAY
✓	built in	✗	✓	✗	✓

- 100505** Slide rails (BEV, Compact, GS)
- 100197** Slide rails (Recaro)

Maximum slide: 22 cm
Height: 2.5 cm
Weight: 2.5 kg

Vehicle seats

Getting seated

Compatibility Matrix

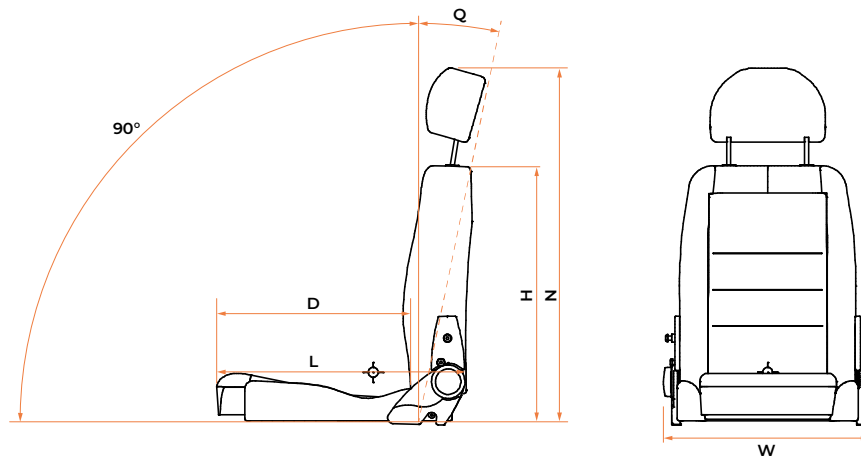
Our seats can be used with a majority of our Getting seated products, but there are a couple of exceptions. Use the matrix below to find which seats are available for each product.

	BEV	Compact	Recaro	GS	BIS
Turnout	YES ²	YES ²	YES ²	YES ¹⁺²	NO
Turny Manual ³	NO	NO	NO	NO	NO
Turny Low Vehicle	YES	NO	YES	YES ¹	NO
Turny HD/Orbit	YES	YES	YES	YES ¹	NO
Turny Evo	YES	YES	YES ¹	YES ¹	YES ⁴
Turny 6-Way	YES ²	YES ²	YES ²	YES ¹⁺²	NO

1. requires adapter plate 2. requires slide rails 3. only compatible with Carony 4. only available as a kit solution

Specifications

All the necessary data you need about our seats.



	BEV	BEV Kids	Compact	Recaro	GS	BIS
Length (L)	63 cm	54.5 cm	59 cm	60-64 cm	52-55 cm	63 cm
Width (W)	51 cm	51 cm	51 cm	54 cm	51 cm	51 cm
Height (H)	62 cm	62 cm	63 cm	65 cm	76 cm	69 cm
Height with headrest (N)	78-90 cm	78-90 cm	81-88 cm	80-85 cm	93 cm	85-92 cm
Depth (D)	47-52 cm	38.5-43.5 cm	48 cm	49,5-53,5 cm	22-45 cm	49 cm
Max recline (Q)	44°	44°	90°	90°	90°	90°
Weight	13 kg	13 kg	12 kg	18 kg	28 kg	19 kg

All dimensional measures taken at 20°-22° recliner angle.

L = Taken at H-point height, W = Widest part of seat, H = Height without headrest, N = Height including headrest, D = Taken at lumbar support, Q = Max possible recliner angle

BEV Seat

Ergonomic low built seat, specially designed for easy individual adaptation.



The BEV seat has been designed for fitting in combination with the Turny or the Turnout swivel seats whenever available space means that a seat of the low-level type would be a major benefit.

The BEV seat has another great advantage in that the flat sides of the cushion have easy-slide upholstery well suited to transfers to and from a wheelchair.

The cushions in the backrest and base are removable, beneath which a variety of extras such as torso or lumbar supports can be fitted. The cushions are easily removed from their Velcro fasteners for cleaning or replacement.

There are also a number of practical accessories that further adapt seat use by those with particular needs and wishes.

The BEV seat is also available in a kids version, for children who need a shorter cushion or have other specific needs, such as a lower headrest.

The BEV Seat is tested and approved according to M1 standards.

Quick facts

- Highly adaptable with many accessories
- Low built
- M1 approved

Specifications

WEIGHT 13 kg
 DIMENSIONS (H, L, W) 78-90 x 63 x 51 cm
 SEAT DEPTH 47-52 cm

To guarantee your safety BraunAbility products are designed and tested according to current directives and standards.

SWIVEL BASE COMPATIBILITY					
TURNOUT	TURNY MANUAL	TURNY LOW VEHICLE	TURNY HD/ORBIT	TURNY EVO	TURNY 6-WAY
✓ ⁴	✗	✓	✓	✓	✓ ⁴

4. requires Slide rails



BEV Seat

Models



100420 BEV seat



102594 BEV Kids seat



100458 Comfort headrest



101365 Kids headrest



100665 Head support



100430 Side support



102193 Backrest cushion



100432 Lumbar support



103901 H-point bracket (BEV Seat)



100848 Armrest kit
100428 Armrest, right
100429 Armrest, left



102194 Seat cushion
102191 Pressure seat cushion



Compact Seat

Economic low built seat.



SWIVEL BASE COMPATIBILITY					
TURNOUT	TURNY MANUA	TURNY LOW VEHICLE	TURNY HD/ORBI	TURNY EVO	TURN 6-WAY
✓ ⁴	✓	✗	✓	✓	✓ ⁴

4. requires Slide rails



Compact Seat is a safe and economical alternative to other more feature-rich car seats that are designed to blend in with the vehicle's interior.

The optional Plus kit raises the front of the seat cushion which increases seating comfort and helps prevent users from sliding forward. We highly recommend this kit on all Compact Seat installations.

The Compact Seat is tested and approved according to M1 standards.

Quick facts

- Blends in with the car interior
- Adaptable with accessories
- Optional Plus kit for increased seating comfort
- Low profile
- M1 approved

Specifications

WEIGHT 12 kg
 DIMENSIONS (H, L, W) 81-88 x 59 x 51 cm
 SEAT DEPTH 48 cm

To guarantee your safety BraunAbility products are designed and tested according to current directives and standards.

- 102593** Compact seat
- 102978** Compact seat Plus
- 102893** Plus raising kit
- 100458** Comfort headrest, Compact/BEV
- 100665** Neck roll
- 100848** Armrest kit
- 100428** Armrest, right
- 100429** Armrest, left

103902 H-point bracket (Compact seat)

NOTE! Compact Seat does NOT have a release catch that allows the backrest to fold forward.

Manufactured by Recaro

Recaro Specialist L

Comfortable and ergonomic low built seat.



The Recaro Specialist L seat is a low built seat with a bucket seat cushion. Pull-out seat extensions together with robust side bolsters of the backrest ensure a comfortable and ergonomically correct driving position.

The Recaro Specialist L is tested and approved according to M1 standards.

Quick facts

- Blends in with the car interior
- Excellent support for both legs and thighs
- Adaptable with accessories
- Low profile
- M1 approved

Specifications

WEIGHT 18 kg
 DIMENSIONS (H, L, W) 80-85 x 60-64 x 54 cm
 SEAT DEPTH 49.5-53.5 cm

To guarantee your safety BraunAbility products are designed and tested according to current directives and standards.



- 100693** Recaro Specialist L
- 101153** Comfort headrest, Recaro
- 100665** Neck roll
- 102618** Armrest kit
- 101879** Armrest, right
- 101880** Armrest, left
- 102812** Adapter plate for Turny Evo
- 103784** Release handle for Turny Low Vehicle
- 103903** H-point bracket (Recaro)
- 100197** Slide rails (Recaro)

SWIVEL BASE COMPATIBILITY					
TURNOUT	TURN MANUAL	TURNY LOW VEHICLE	TURNY HD/ORBIT	TURNY EVO	TURNY 6-WAY
✓ ⁴	✓	✓	✓	✓ ¹	✓ ⁴

1. requires adapter plate 4. requires Slide rails



GS Seat

Highly adaptable seat for children and people of short stature.



On the GS Seat, almost everything can be individually adjusted, for example, the seat depth and the position of each armrest in all three dimensions. The GS Seat also has a wide number of accessories that will help further adapt the seat to a user's specific needs.

Designed with the growing child in mind, the GS Seat can be adjusted to provide comfortable and safe seating.

The GS Seat is tested and approved according to M1 standards.

Quick facts

- Highly adaptable with many accessories
- Can "grow" with the user
- Easy to adjust for the caregiver
- M1 approved

Specifications

WEIGHT 28 kg
 DIMENSIONS (H, L, W) 93 x 52-55 x 51 cm
 SEAT DEPTH 22-45 cm

To guarantee your safety BraunAbility products are designed and tested according to current directives and standards.

NOTE! The posture belt included in the GS Seat is not a safety belt.

NOTE! GS seat is not tested according to ECE R44 or R129.



SWIVEL BASE COMPATIBILITY					
TURNOUT	TURNY MANUAL	TURNY LOW VEHICLE	TURNY HD/ORBIT	TURNY EVO	TURNY 6-WAY
✓ ¹	✗	✗	✓ ¹	✓ ¹	✓ ¹

¹. requires adapter plate



GS Seat Models



Choose size of the side support
103237 Side support Large
103238 Side support Small

103235 GS Seat
5-point belt, headrest small sides, leg support



103252 Headrest large sides



103250 Headrest
For tall users



103243 Armrest kit



103248 Relieve table
If the armrest is not enough



103089 Chest padding 5-p belt
Improves comfort and prevents belt sliding apart



103245 Incontinence cover
Protects the seat cushion



103249 Abduction block
Keeps legs apart



103242 Belt deflector



103244 Footrest
103253 Straps with loop
103088 Heel support



103247 Lumbar support, air



103086 Adapter plate
Gives BEV Seat hole pattern

Carony®

Transfer from wheelchair to car seat without lifting.



The Carony is a wheelchair that lets the user stay seated in the wheelchair when moving into the car. By docking onto a swivel base the entire wheelchair seat, with the seated user, can slide into the car, where it becomes the car seat.

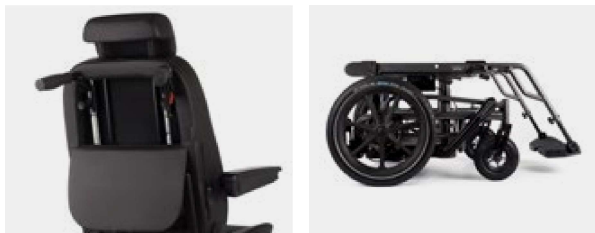
Our latest version has been improved in many different ways in terms of comfort for the user, ergonomics and functions for the carer as well as a simplified installation process.

The included seat itself is highly adaptable with individually adjustable armrests, torso support and thigh support. A built in pneumatic bladder allows the front of the cushion to be raised to further improve seating comfort.

It comes in a discreet grey colour and has a sleek design matching both the interior and exterior of today's cars.

Suitable for people of all sizes, including those of short stature and children.

For a full review of the Carony's features, visit Dealerweb.



Quick facts

- Integrated push handles with brakes
- Many adjustment points for user comfort
- 16" high quality wheels with reflective stripes
- Improved stability
- One model only
- Uses same seat for both wheelchair and vehicle
- Puncture free front wheels

SWIVEL BASE COMPATIBILIT					
TURNOUT	TURNY MANUA	TURNY LOW VEHICLE	TURNY HD/ORBIT	TURNY EVO	TURNY 6-WA
✘	✔	✘	✔ ³	✔ ³	✘

3. requires adapter plate with rails

Specifications

FRAME MATERIAL metal
 FRAME COLOUR grey
 SEAT COLOUR black

To guarantee your safety BraunAbility products are designed and tested according to current directives and standards.



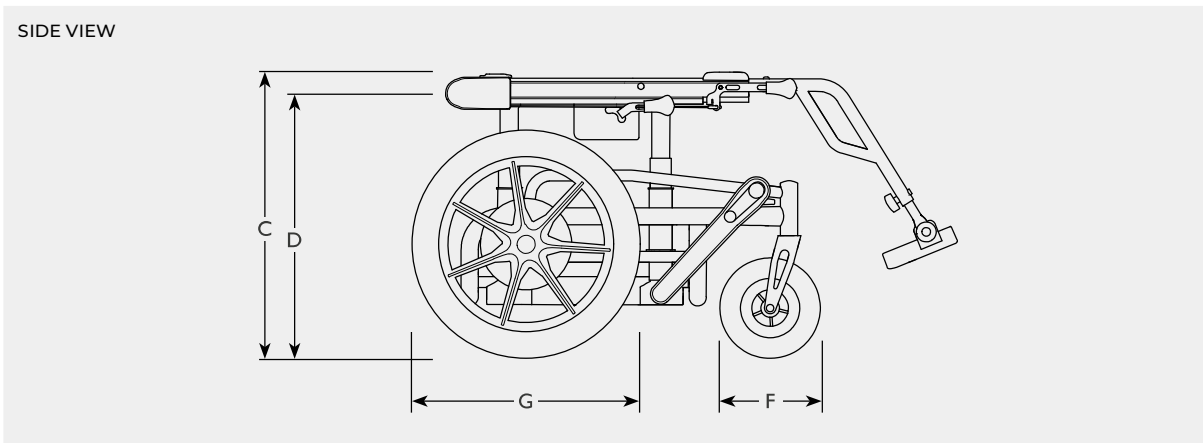
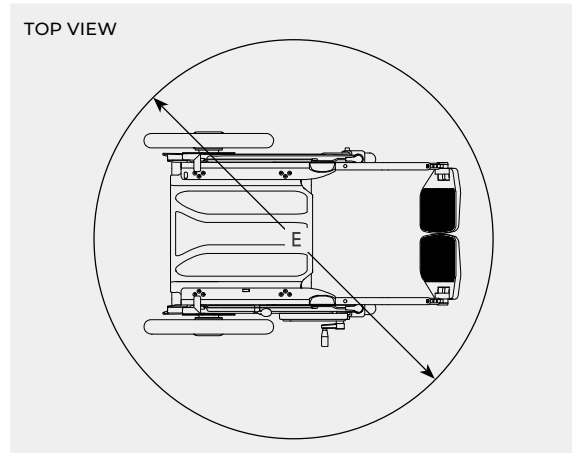
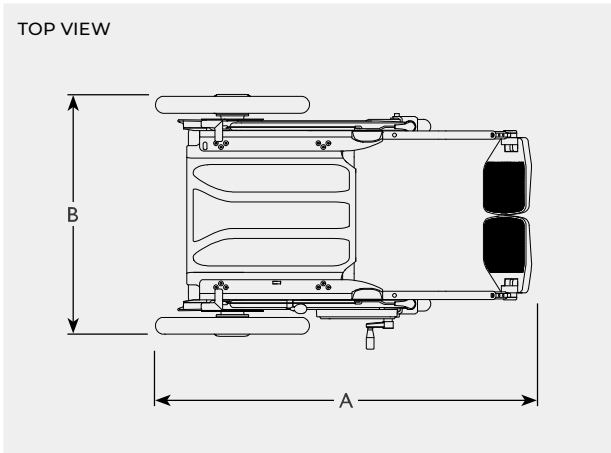
PATENT PENDING

Carony®

Dimensions and models

Requires a swivel seat for docking to a car.

Recommended accessories: Anti-tip device and Calf/heel support



Adapter: Turny Evo
 Required to use a Carony 16" with the Turny Evo.
104072 Turny Evo adapter plate



Adapter: Turny HD/Orbit
 Required to use a Carony 16" with the Turny HD/Orbit.
104073 Turny HD/Orbit adapter plate

Carony	Brake lever side	Length	Width	Height	Docking height	Clear turning space	Front wheel diameter	Rear wheel diameter	Maximum user weight	Unit weight
	A	B	C	D	E	F	G			
103927 Carony 16" (wheelbase + seat)	both*	71	64	43-57	37-51	113**	7"	16"	120	15.5
104072 Adapter plate with rails: Turny Evo										
104073 Adapter plate with rails: Turny HD/Orbit										

All weights and dimensions are given in kilograms and centimetres, and for reference only. *mount the brake lever on one of the two sides
 ** Including footrest, anti-tip device and seat. Handles add another 6 cm if folded out.

Carony® accessories

Getting seated

Anti-tip device

With the intention to make it as easy as possible to use and to adapt the wheelchair to any situation, the anti-tip device is both activated and deactivated using the feet. Be it going down a couple of steps or traversing a higher obstacle.

104069 Anti-tip device



Puncture free wheels

Rear inner tubes are available in a puncture free version with the same premium quality and look.

104071 Puncture free wheels, rear



Elevating leg support

Improved leg support for those with long legs or rigid knees.

104081 Elevating leg support, right
104082 Elevating leg support, left



2-point hip belt

Provides good support and prevents you from sliding forward in the seat.

100425 2-point hip belt



Belt deflector

Places the seat belt at the correct angle for a small user/child.

105796 Belt deflector



Child armrest converter plates

Moves the armrests closer to the user's body and includes holes for child torso supports.

105795 Child armrest plates



Child headrest

Lower than the standard headrest to fit a child. Has integrated attachments for the 4-point shoulder harness.

105640 Child headrest



Thigh and torso support

Fitted anywhere along the slit along the backrest or under the seat, the premium adjustable torso support and thigh support provides a rigid brace wherever they're needed.

- | | |
|------------------------------------|--|
| 104083 Thigh support, right | 105183 Child torso support, right* |
| 104084 Thigh support, left | 105184 Child torso support, left* |
| 104085 Torso support, right | *requires the child armrest converter plates (105795) for mounting |
| 104086 Torso support, left | |



4-point shoulder harness

Distributing pressure across a 25% greater surface area than a traditional H-style harness, the 4-point shoulder harness has a body-contouring shape for optimal support and a comfortable fit. Curved pads follow the contours of the shoulders and ribcage, with a low-placed sternum strap for easy adjustability.

- | | |
|----------------------------------|-------------------------------|
| 105854 XX Small, 21-24 cm | 105639 Small, 28-33 cm |
| 105853 X Small, 24-28 cm | 104056 Large, 41-48 cm |



Universal elastic strap

The 148 cm strap provides temporary or all-day support for travel, work, therapy, sports and fittings. Use on the chest, abdomen, thighs or lower legs. Adds 72 cm to the original Universal elastic strap.

- | |
|--|
| 104057 Universal elastic strap (148 cm) |
| 104058 Elastic extension strap (72 cm) |



Calf / heel support

With great pressure distribution and durability, they support the lower legs and control flexion without risk of bruising. Breathable fabric provide air circulation and comfort. Attaches around the leg rests using Velcro. Easy to move.

- | |
|-----------------------------------|
| 104059 Calf / heel support |
|-----------------------------------|

Carony® Classic

A wheelchair that transforms into a car seat, while the user stays seated.



The Carony Classic is a wheelchair that lets the user stay seated while transferring to the car seat. By docking the wheelchair to either a swivel seat or seat lift, the wheelchair seat can be slid off its base and onto the docking plate where the seat locks safely in place and becomes the car seat. In short, a user can move from wheelchair to car seat and vice versa completely without lifting.

Available with 12" or 24" wheels and suitable for people of all sizes including those of short stature and children.

Quick facts

- Uses same seat for both wheelchair and vehicle
- Highly customisable
- 12" or 24" rear wheels
- Approved to be used as a wheelchair during transport (requires transport fittings)
- Compatible with Tilda tilt function

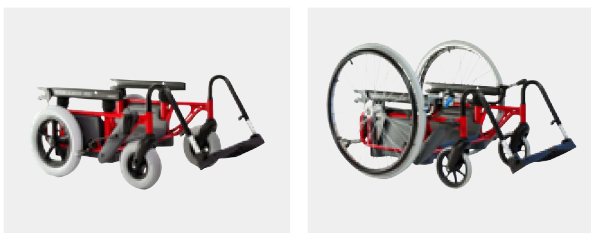
Specifications

FRAME MATERIAL metal

FRAME COLOUR red

To guarantee your safety BraunAbility products are designed and tested according to current directives and standards.

NOTE! See the Carony Classic configurator for available options.



SWIVEL BASE COMPATIBILI					
TURNOUT	TURNY MANUAL	TURNY LOW VEHICLE	TURNY HD/ORBIT	TURNY EVO	TURNY 6-WAY
✓ ²	✗	✗	✓ ²	✓ ²	✗

² requires Carony rails

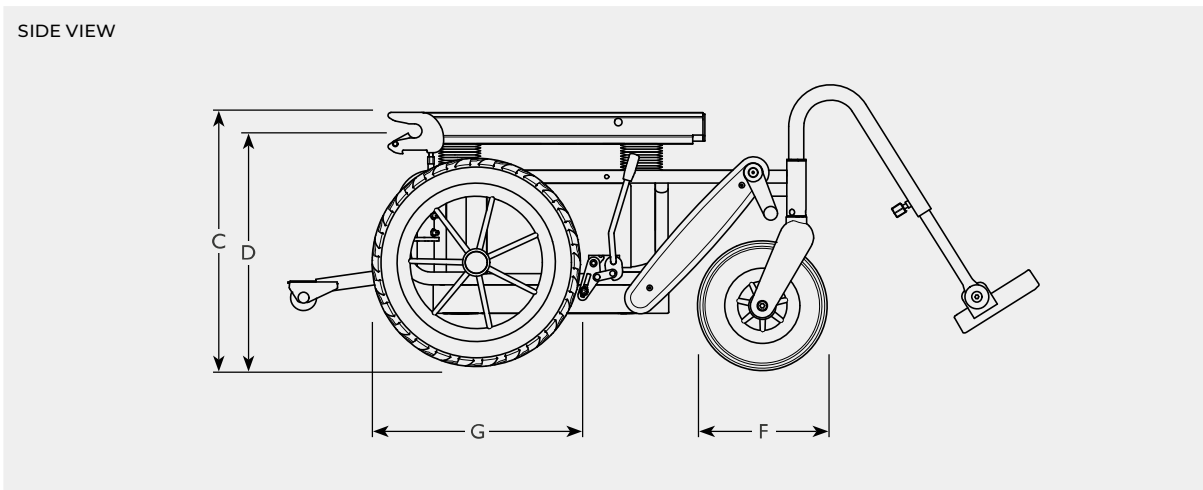
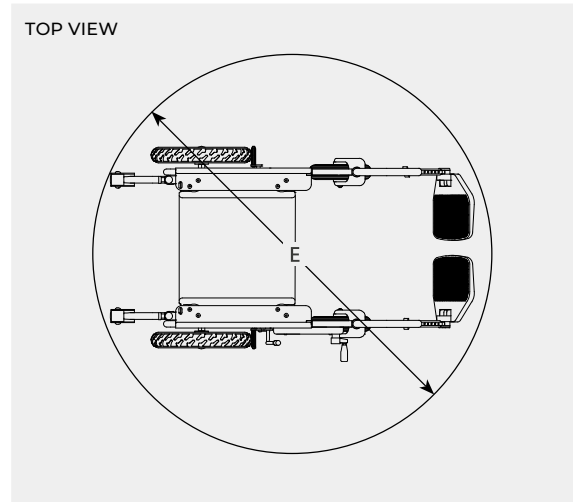
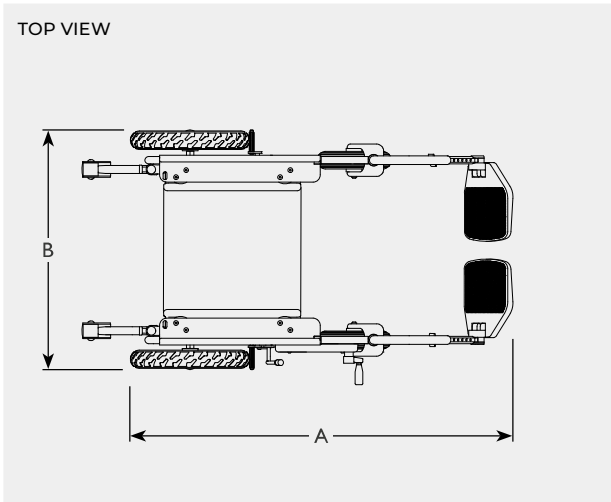


Carony® Classic

Dimensions and models

Requires a swivel seat for docking to a car.

Recommended accessories: Tilda



	Brake lever side	Length	Width	Height	Docking height	Clear turning space	Front wheel diameter	Rear wheel diameter	Maximum user weight	Unit weight
Carony Classic, chassis	A	B	C	D	E	F	G			
Carony Classic 12", chassis	right	67	61	38-48	35-45	115**	8"	12"	100	15
Carony Classic 12", chassis	left	67	61	38-48	35-45	115**	8"	12"	100	15
Carony Classic 24", chassis	right	79*	67	38-48	35-45	119**	7"	24"	100	19
Carony Classic 24", chassis	left	79*	67	38-48	35-45	119**	7"	24"	100	19
Carony Classic 12" fixed, chassis	right	67	61	38, 43, 48	35, 40, 45	115**	8"	12"	100	14
Carony Classic 12" fixed, chassis	left	67	61	38, 43, 48	35, 40, 45	115**	8"	12"	100	14

All weights and dimensions are given in kilograms and centimetres, and for reference only. *Including the anti-tip protection. ** Including footrest, anti-tip device and seat.
Note! Only chassis, no seats. For available options see the Carony Classic configurator.

Carony® Classic Configurator

Choose a model, seat and add docking rails.



Carony Classic Fixed 12"	
INCLUDES	
<ul style="list-style-type: none"> • Seat (choose which) • Chassis 12" fixed height • 12" rear wheels • 8" front wheels • footrest • carriage • push handle • armrests 	

Carony Classic 12"	
INCLUDES	
<ul style="list-style-type: none"> • Seat (choose which) • Chassis 12" adjustable height • 12" rear wheels • 8" front wheels • footrest • carriage • push handle • armrests 	

Carony Classic 24"	
INCLUDES	
<ul style="list-style-type: none"> • Seat (choose which) • Chassis 24" adjustable height • 24" rear wheels • 7" puncture free front wheels • footrest • carriage • push handle • armrests • anti-tip protection 	

SEAT	Carony Classic Fixed 12"		Carony Classic 12"		Carony Classic 24"	
	RIGHT	LEFT	RIGHT	L FT	RIGHT	LEFT
BEV seat	101232	101233	100399	100402	100872	100889
BEV Kids seat	101245	101246	101243	101244	101423	101422
Compact seat	102715	102716	102711	102712	102713	102714
Recaro Specialist L	102717	102718	100683	100684	100905	100906



BEV seat



BEV Kids seat



Compact seat



Recaro Specialist L

⊕ Select docking rails for the swivel seat to use it with the Carony Classic

SWIVEL BASE	Carony Classic Fixed 12"	Carony Classic 12"	Carony Classic 24"
	CARONY DOCKING RAILS	CARONY DOCKING RAILS	CARONY DOCKING RAILS
Turnout	475 mm (102720)	475 mm (102720)	550 mm (102721) / 600 mm (102722)
Turny HD/Orbit	475 mm (102720)	475 mm (102720)	475 mm (102720)
Turny Evo	550 mm incl. adapter plate* (102811)	550 mm incl. adapter plate* (102811)	550 mm incl. adapter plate* (102811)

* On the Turny Evo the Carony rails are mounted on an adapter plate.

Carony® Classic accessories

Getting seated



2-point hip belt

Provides good support and prevents you from sliding forward in the seat.

100425 2-point hip belt



4-point shoulder harness

Posture support in all directions. Curved pads with a low-placed sternum strap for easy adjustability.

105854 XX Small, 21-24 cm
105853 X Small, 24-28 cm
105639 Small, 28-33 cm
104056 Large, 41-48 cm



Universal elastic strap

Versatile support strap that can be used on the chest, abdomen, thighs or lower legs.

104057 Universal elastic strap
104058 Elastic extension strap



Neck roll

Extra support for the neck and head.

100665 Neck roll



Elevating leg support

Improved leg support for those with long legs or rigid knees.

100424 Elevating leg support, right
100426 Elevating leg support, left



Calf / heel support

Add support to the calves or place behind the heels to prevent the feet from slipping off the foot rests.

104059 Calf/heel support



Foot support, small

A shorter foot rest for children or people of short stature.

100754 Foot support, small



Heel belt

Adds supports to the heels and prevents the feet from slipping off the foot rests.

100630 Heel belt



Puncture free wheels

The original Carony Classic wheels but filled with gel instead of air.

100438 12" rear, 2pcs (CC 12")
100697 8" front, 1pcs (CC 12"/24")
101278 7" front, 1pcs (CC 24")



Anti-tip device

Prevents the Carony from tipping over backwards.

102719 Anti-tip protection



Level raising kit

Raise the seat height 50mm using this kit.

100700 Raising kit, 50mm

Seating options

Getting seated



2-point hip belt

Provides good support and prevents you from sliding forward in the seat.

100425 2-point hip belt



4-point shoulder harness

Posture support in all directions. Curved pads with a low-placed sternum strap for easy adjustability.

105854 XX Small, 21-24 cm
105853 X Small, 24-28 cm
105639 Small, 28-33 cm
104056 Large, 41-48 cm



Universal elastic strap

Versatile support strap that can be used on the chest, abdomen, thighs or lower legs.

104057 Universal elastic strap
104058 Elastic extension strap



Neck roll

Extra support for the neck and head.

100665 Neck roll



Careva belt

Will help achieve an upright sitting position which is required in order for the regular safety belt in vehicles to work properly.

100955 Careva Spinal belt, 5 channels, 2 buckles, Medium/Large
101670 Careva Combi kit, small
101671 Careva Combi kit, medium
101672 Careva Combi kit, large
100959 Careva chest (thoracic) belt, 80cm
100958 Careva chest (thoracic) belt, 100cm
100957 Careva chest (thoracic) belt, 120cm
100590 Careva chest (thoracic) belt, 135cm
100968 Careva pelvic T-belt, small
100587 Careva pelvic T-belt, medium
100969 Careva pelvic T-belt, large



Crossit belt

Will help achieve an upright sitting position which is required in order for the regular safety belt in vehicles to work properly.

102581 Crossit
102582 Seat pad (option)
102583 Chest buckle (option)



XL-belt

3-point belt suitable for seats where a standard seat belt is missing.

100162 XL-belt, 4.4m
102122 Female buckle, long stalk (500mm), right
100512 Female buckle, long stalk (500mm), left
102123 Female buckle, flexible short stalk (200mm)
102124 Female buckle, short stalk (200mm)



Bestvest

Ensures proper seatbelt geometry at all times.

103347 Bestvest, small
103348 Bestvest, medium
103349 Bestvest, large
103350 Bestvest, X large
103351 Bestvest child, 116-128 cm
103352 Bestvest child, 128-140 cm
103353 Bestvest child, 140-152 cm
103354 Bestvest child, 152-164 cm